

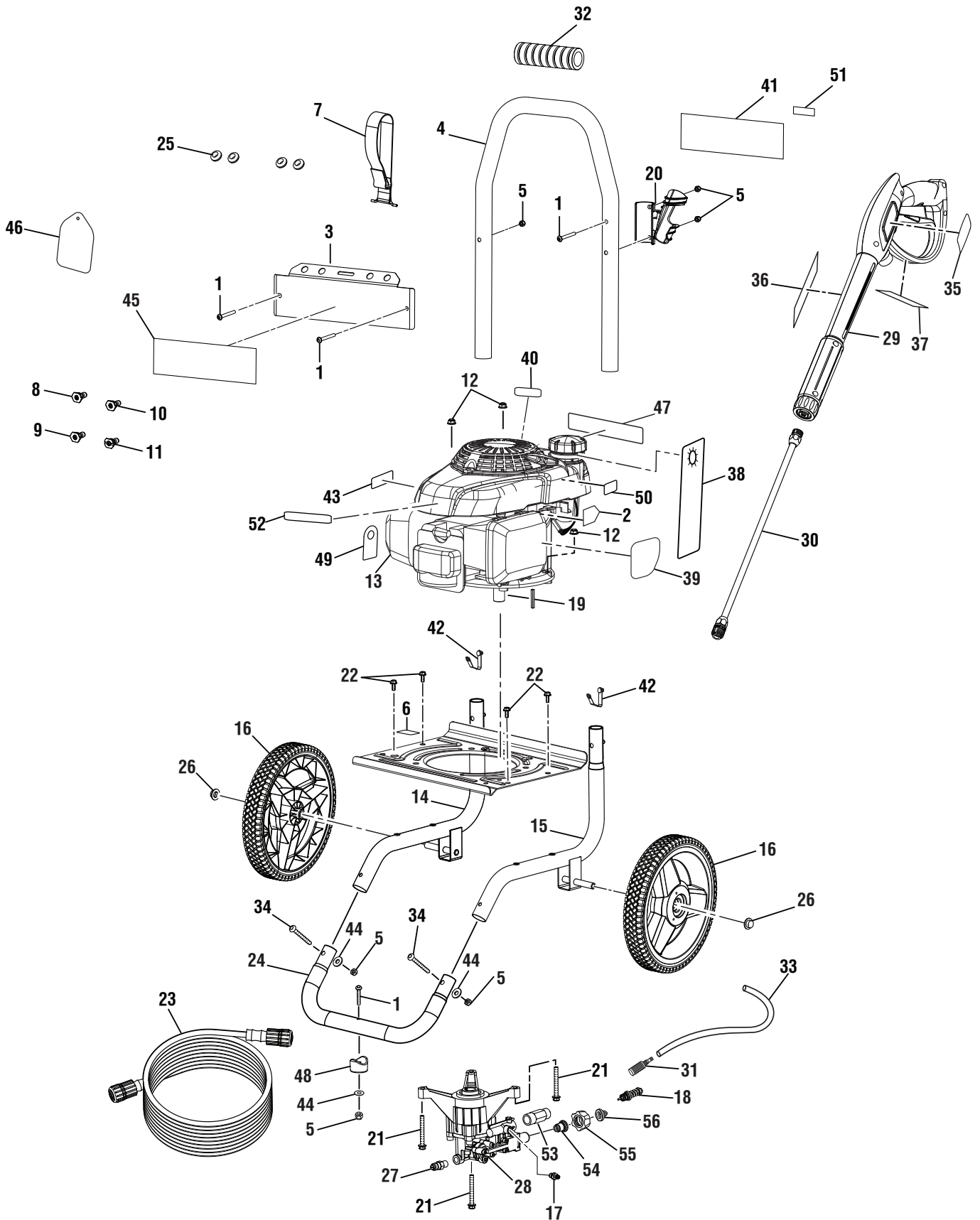


**Pressure Washer
Manufacturing No. 090079278
Item No. PS80325
Replacement Parts List**

OWT INDUSTRIES, INC.

P.O. Box 35, Highway 8
Pickens, SC 29671 USA
1-877-617-3501

POWERSTROKE PRESSURE WASHER MODEL NO. PS80325



POWERSTROKE PRESSURE WASHER MODEL NO. PS80325

The model number will be found on a label attached to the engine plate. Always mention the model number in all correspondence regarding your **PRESSURE WASHER** or when ordering replacement parts.

KEY PART NO. NUMBER	DESCRIPTION	QTY	KEY PART NO. NUMBER	DESCRIPTION	QTY
1	661503015 Screw (M6 x 48 mm, T30 Torx Pan Hd.).....	4	30	308506006 Extension Wand	1
2	941550007 Engine On/Off Label.....	1	31	308103015 Chemical Siphon Filter	1
3	638671013 Hose and Nozzle Holder	1	32	570721016 Foam Grip	1
4	308790078 Handle.....	1	33	561399003 Chemical Siphon Tube	1
5	678610006 Lock Nut (M6 x 1).....	6	34	661834004 Screw (M6 x 42 mm, T30 Tox Pan Hd.).....	2
6	940872025 Oil Fill Location Label.....	1	35	940654297 Trigger Handle Warning Label (Eng)....	1
7	308350003 Hose Holder Strap.....	1	36	940654293 Trigger Handle Warning Label (Fr/Sp) ..	1
8	308700012 40° Nozzle	1	37	940786020 Trigger Handle Rating Label.....	1
9	308706011 Soap Nozzle	1	38	940473011 Danger Hangtag	1
10	308699012 25° Nozzle	1	39	940648004 Engine Control Label.....	1
11	308697012 0° Nozzle	1	40	940947013 Combustion Label.....	1
12	678774002 Flange Lock Nut (M8 x 1.25).....	3	41	940617152 Quick Start Label.....	1
13	Note A Engine (Honda GCV 190, 190cc OHC Vertical).....	1	42	308421004 Lock Button w/Spring Clip.....	2
14	310703024 Main Frame Assembly (Left, Inc. Key No. 42).....	1	43	940680040 Hot Surface Label	1
15	310704029 Main Frame Assembly (Right, Inc. Key No. 42)	1	44	638128004 Washer (1/4 in.)	3
16	308451039 Wheel	2	45	940779148 Performance Label	1
17	308452002 Detergent Suction Kit.....	1	46	961039005 Nozzle Hangtag.....	1
18	310924003 Pump Unloader Valve.....	1	47	940894014 Danger Label.....	1
19	678041007 Output Shaft Key.....	1	48	570554002 Wear Pad.....	1
20	519313009 Wand Holder	1	49	961454001 Dipstick Hangtag.....	1
21	660962003 Flange Bolt (M8 x 60 mm, Hex Hd.)....	3	50	940872003 No E85 Label.....	1
22	661505020 Flange Bolt (M6 x 16 mm, Hex Hd.)....	4	51	941486002 Inquiries Label	1
23	308835075 Hose (25 ft.).....	1	52	941714004 Honda Brand Label	1
24	310742029 Front Frame (Inc. Key Nos. 1, 5, 44 & 48).....	1	53	308862003 Outlet Tube.....	1
25	561383004 Grommet	4	54	642058001 Spindle	1
26	679957001 Push Cap Nut.....	2	55	310993003 Collar	1
27	678169004 Thermal Release Valve	1	56	308662001 Filter Screen (Pump Inlet).....	1
28	308653078 Pump (Inc. Keys Nos 17-18 & 53-56)...	1	Not Shown:		
29	308760057 Trigger Handle Assembly (Inc. Keys Nos. 35-37).....	1	991000472	Operator's Manual	
			991000473	Quick Start Guide	
			900333015	Wire Tie	
			519314001	Funnel	

NOTE A: OWT Industries, Inc., will not provide engines as replacement parts. Engines are covered through the engine manufacturer's warranty. Consult the accompanying engine manual or contact our service department for assistance.